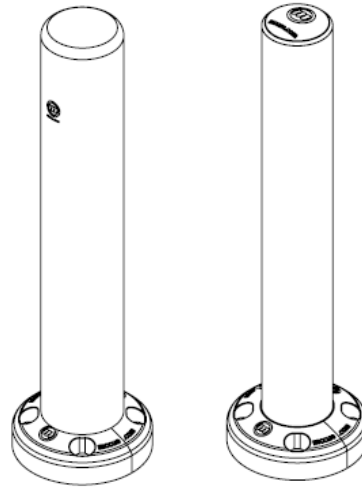
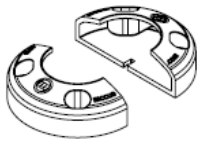


SafeStop Bollard 15

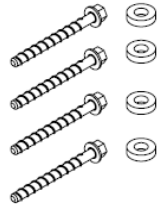
INSTALLATION INSTRUCTIONS



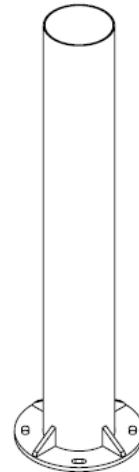
Components (components vary by install)



Shock Absorbers



Washers & Anchors

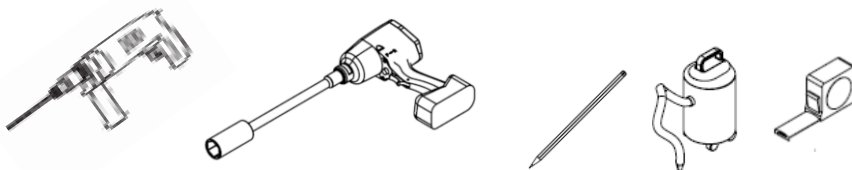


Bollard Post



Cap or Post Cover

Tools Required



- Hammer Drill with ½" [12mm] Concrete/Masonry Drill Bit
- Impact Driver with ¾" [19mm] Socket
- Pencil/Marker
- Vacuum
- Tape Measure
- PPE



McCue Corporation
Danvers, Massachusetts, USA
+1 (800) 800 8503
customer@mc cue.com

McCue UK & Europe
Milton Keynes, United Kingdom
+44 (0)1908 365 511
uksales@mc cue.com

McCue Asia
迈客(厦 门)有限公司
Xiamen, Fujian, China
+86-592-2200790

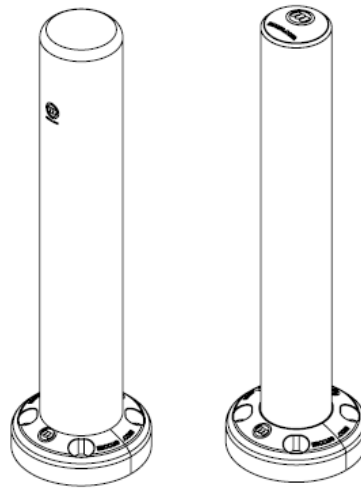
mc cue.com





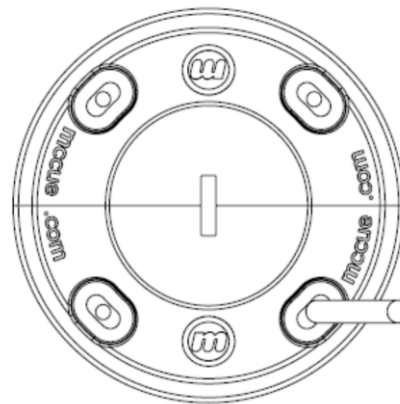
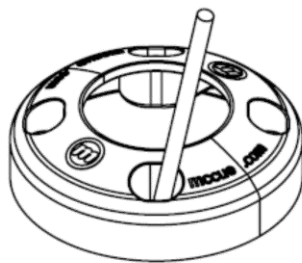
- PPE recommended: High visibility vest, Steel Toe Boots, Work Gloves, Ear Protection, Dust Mask, Eye Protection.
- Clean concrete dust by running the vacuum during drilling.

These instructions are for multiple versions of the SafeStop bollard. For simplicity only one version will be shown in each step.

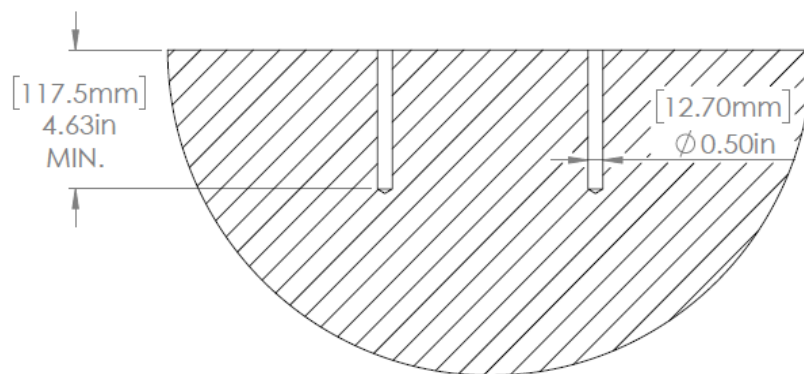
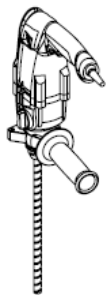


1

Select bollard location. Use Shock Absorber pieces to mark holes.

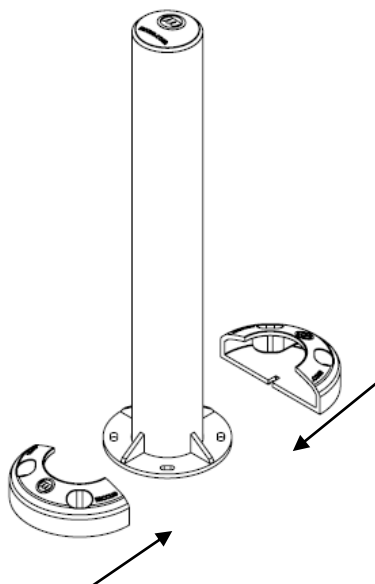


2 Drill 4 holes using ½" drill bit, 4-5/8" minimum depth.



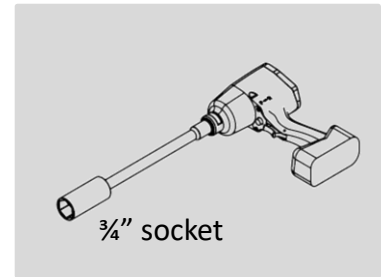
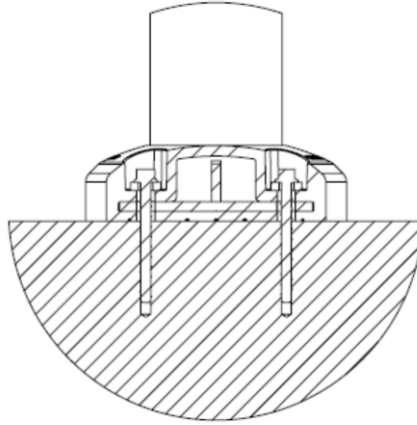
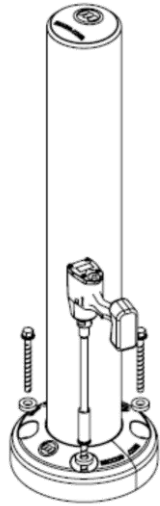
HOLE DETAIL

3 Install shock absorbers over baseplate.



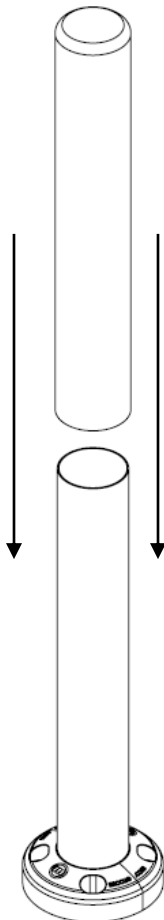
4

Move bollard post into place. Fasten to floor using $\frac{1}{2}$ " concrete anchors through washers.



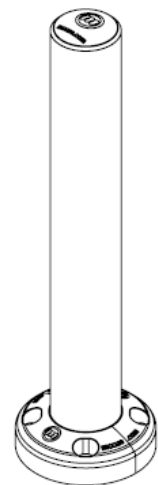
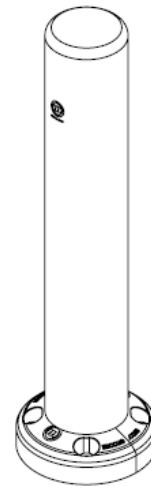
5

Install post cover (if applicable).



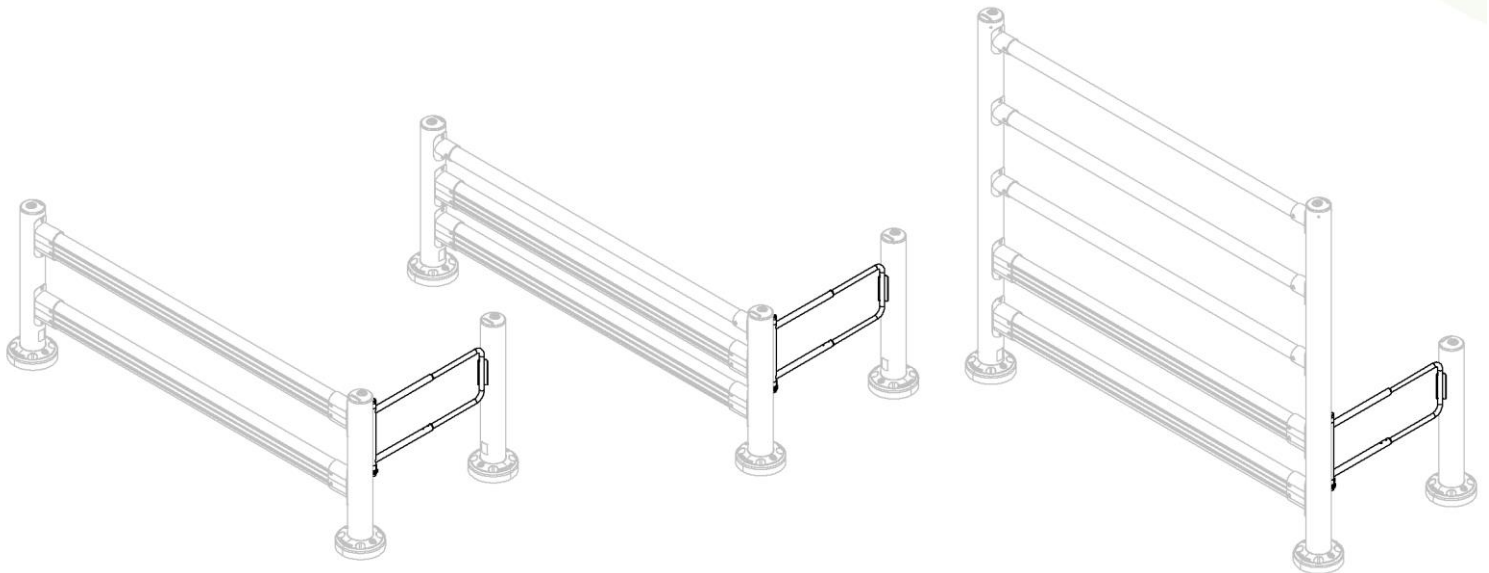
6

Installation complete.

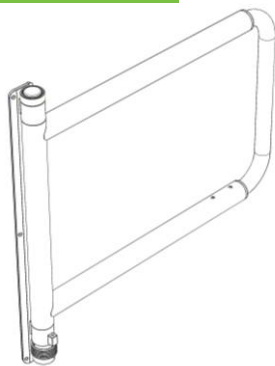


SafeStop Pedestrian Swing Gate Add On Kit

INSTALLATION INSTRUCTIONS



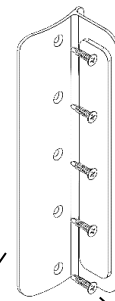
Components



GATE



#12 X 1" HEX HEAD
SELF DRILLING SCREWS



STOPPER

#8 X 3/4" PHILLIPS HEAD
SELF DRILLING SCREWS

Required Tools



#14(0.1820")
Drill Bit



#29(0.1360")
Drill Bit



5/32"
Allen Key



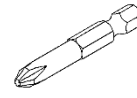
Pencil



Razor
Knife



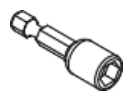
Tape
Measure



Phillips
Bit No.2



Drill or
Impact



Nut Driver
With 5/16" Bit



McCue Corporation
Danvers, Massachusetts, USA
+1 (800) 800 8503
customercare@mccue.com

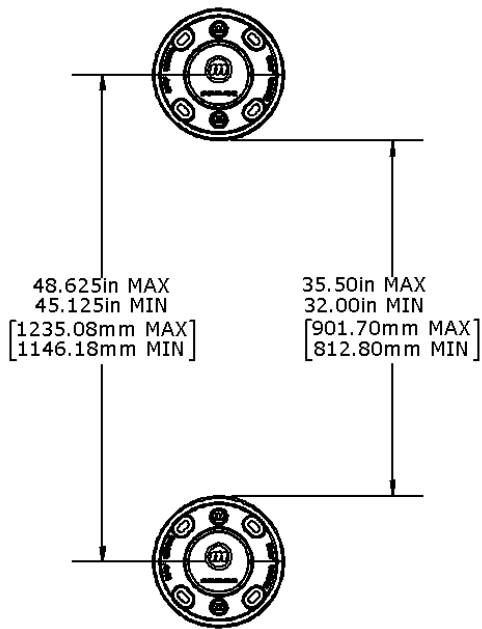
McCue UK & Europe
Milton Keynes, United Kingdom
+44 (0)1908 365 511
uksales@mccue.com

McCue Asia
迈客(厦门)有限公司
Xiamen, Fujian, China
+86-592-2200790

mccue.com

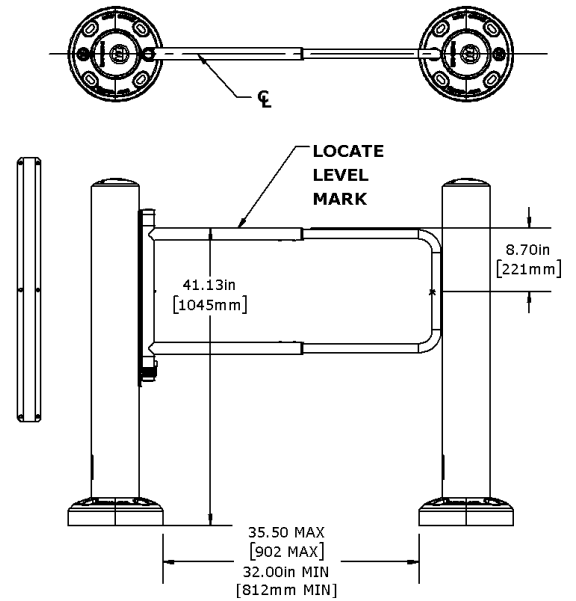


Step 1



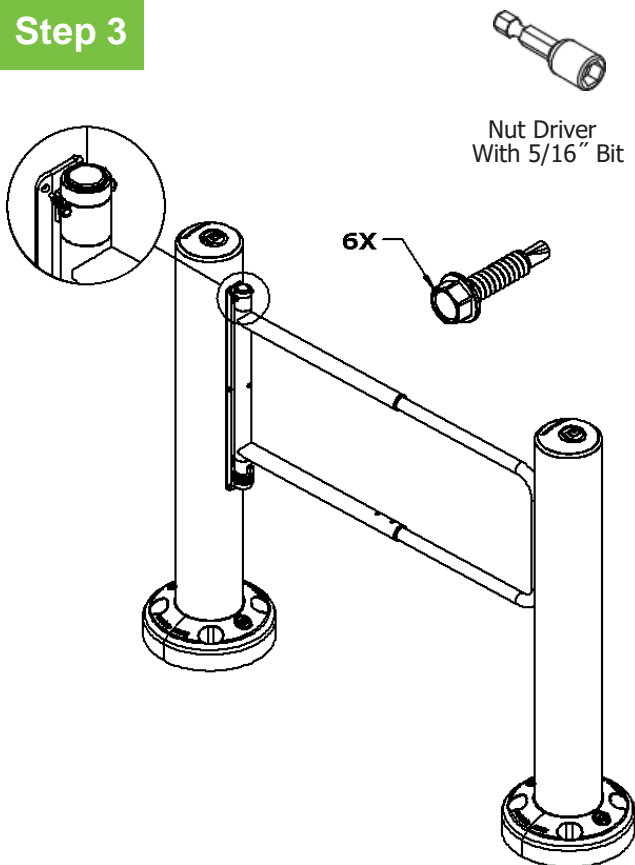
Install SafeStop Products with acceptable spacing as shown above. Refer to product specific installation instructions for Installation procedures.

Step 2



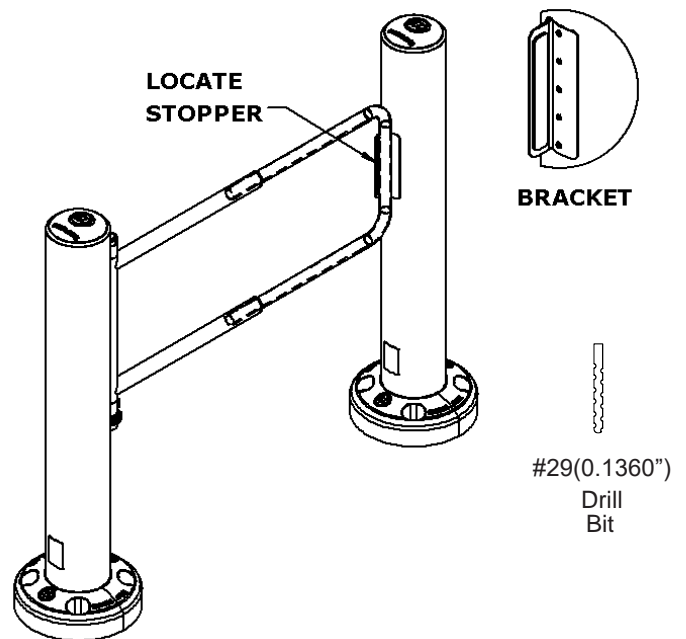
Locate gate on center and mark all the mounting hole locations.

Step 3



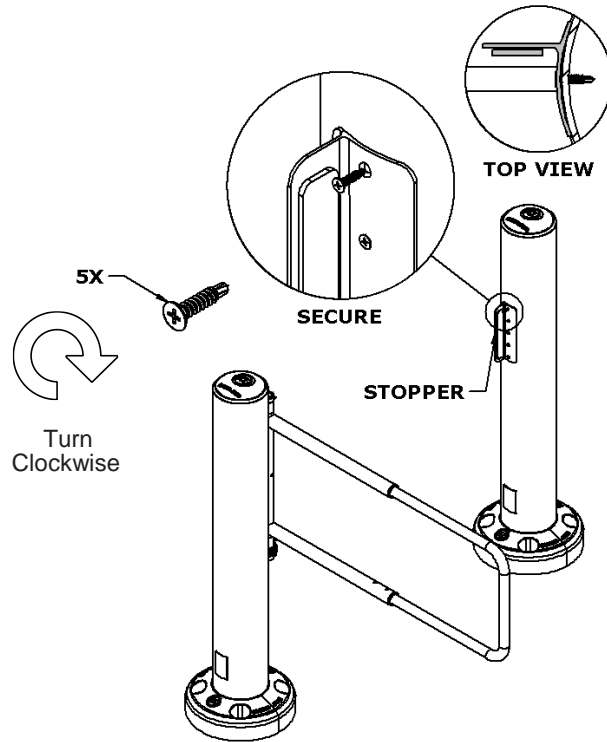
Secure using 5/16" Nut driver bit until flush. Do not over torque.

Step 4



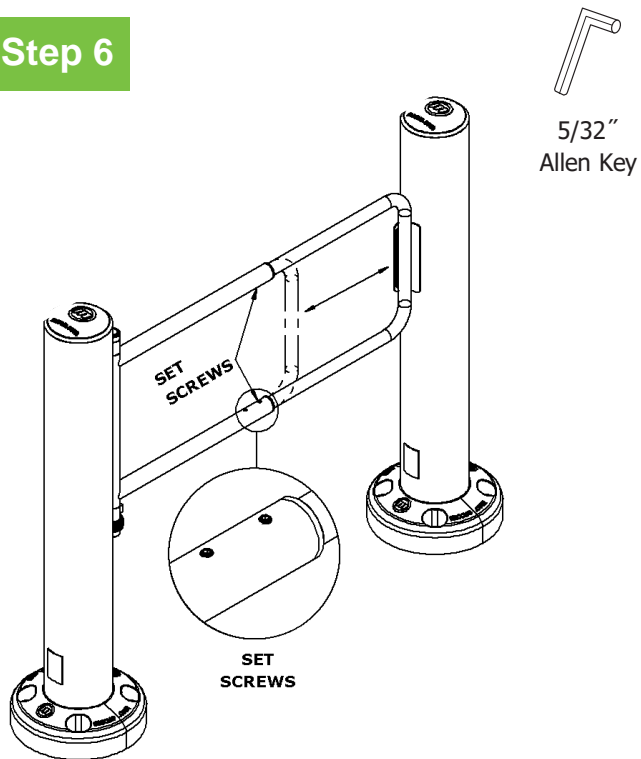
Mark hole locations and drill pilot holes using #29 drill bit.

Step 5

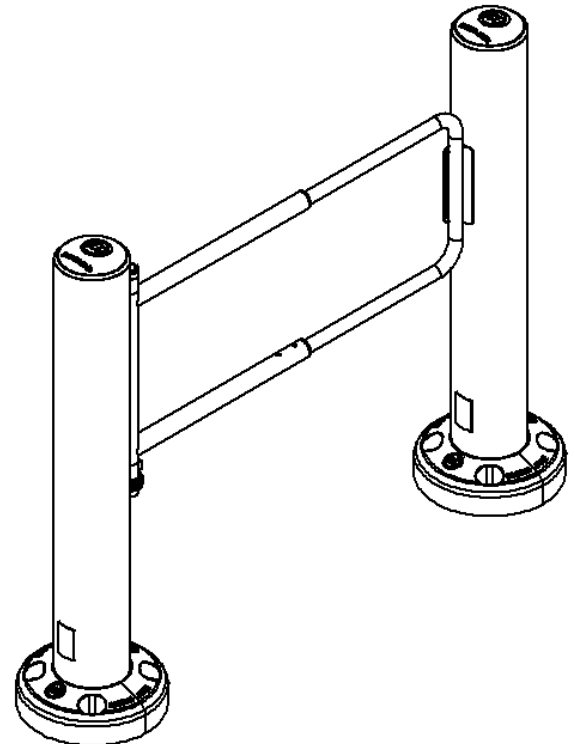


Secure using a drill with a Phillips bit until all screws are flush. Do not over torque.

Step 6

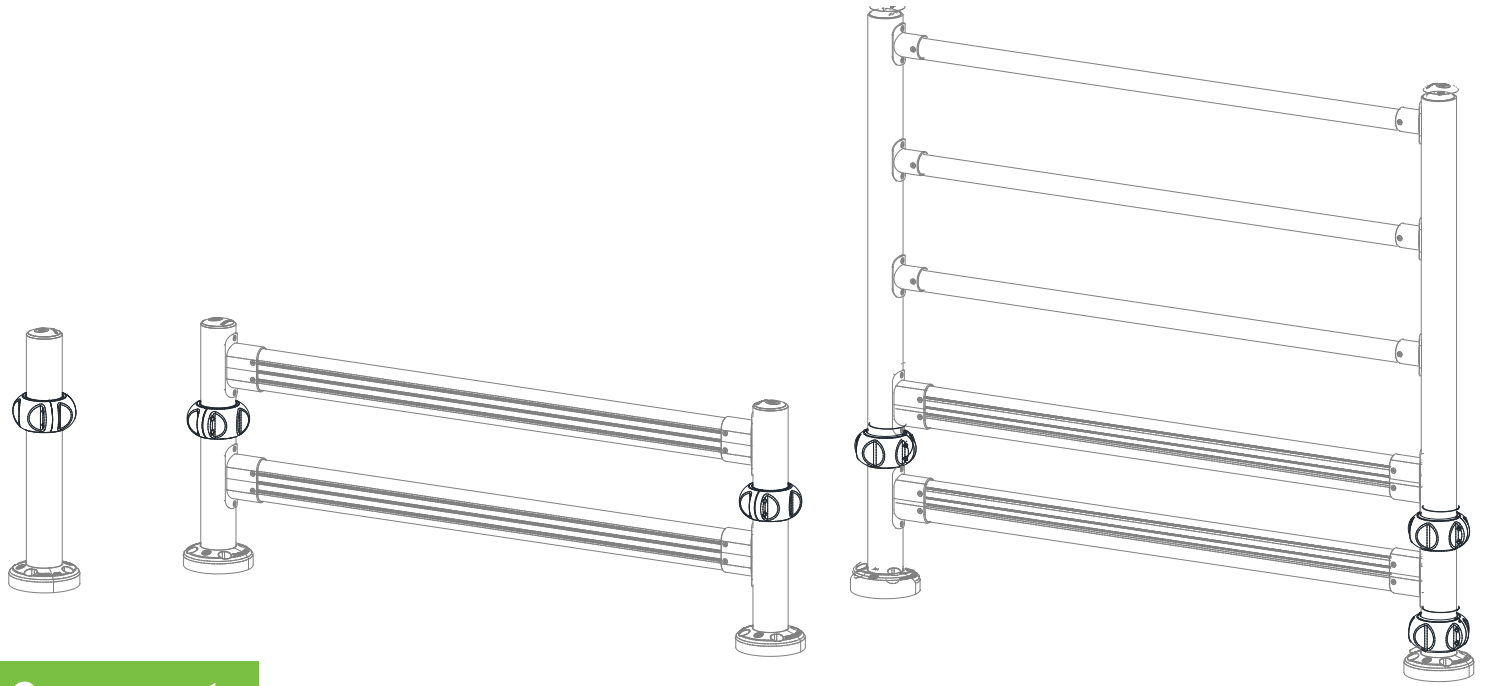


Telescoping arm can be adjusted by loosening set screws. Secure arm by tightening all set screws.

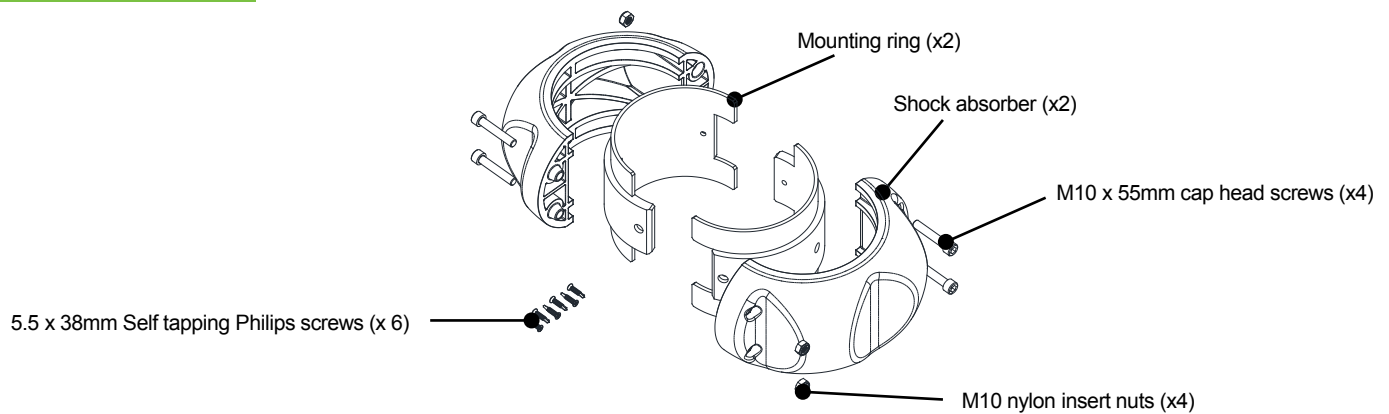


SafeStop Spinner Add On

INSTALLATION INSTRUCTIONS



Components

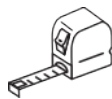


Kit: SSA-K-SPN

Required Tools



Pencil/
marker



Tape
Measure



Drill



4mm [5/32"]
HSS Drill Bit



Phillip's
Screwdriver/drill bit



8mm
Allen Key



McCue Corporation
Danvers, Massachusetts, USA
+1 (800) 800 8503
customer care@mccue.com

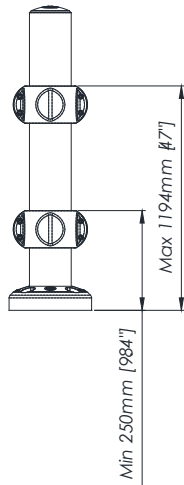
McCue UK & Europe
Milton Keynes, United Kingdom
+44 (0)1908 365 511
uksales@mccue.com

McCue Asia
迈客(厦门)有限公司
Xiamen, Fujian, China
+86-592-2200790

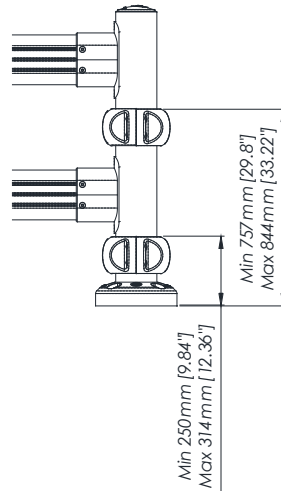
mccue.com



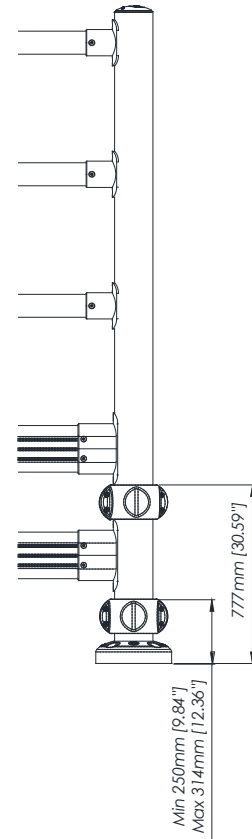
Recommended Install Heights



SafeStop Bollard

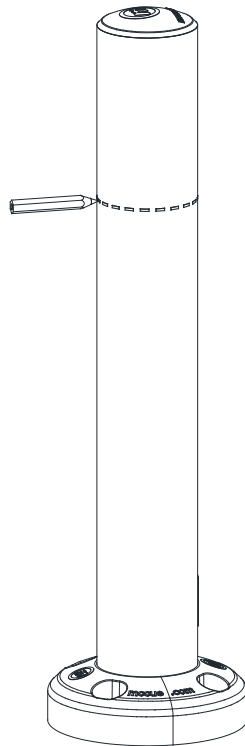


SafeStop GuardRail



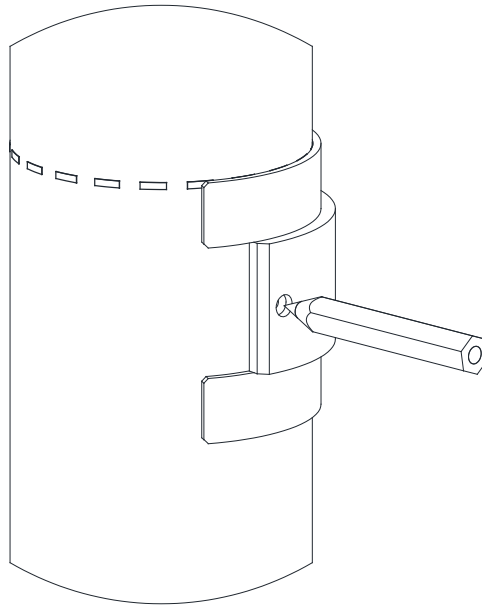
SafeStop Topple Barrier

Step 1



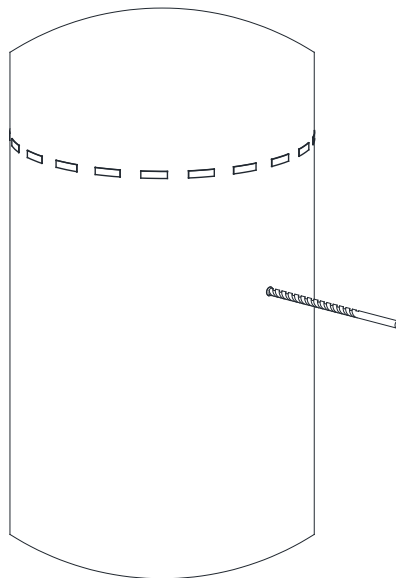
Measure and mark out the top height required for the Spinner

Step 3



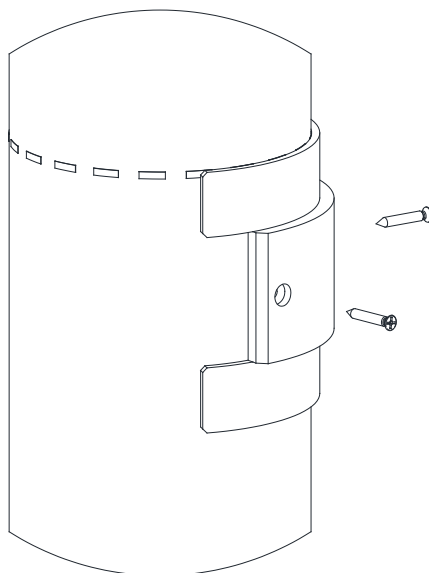
Position the 1st half of the mounting ring ensuring it is straight marking the 3-hole locations

Step 4



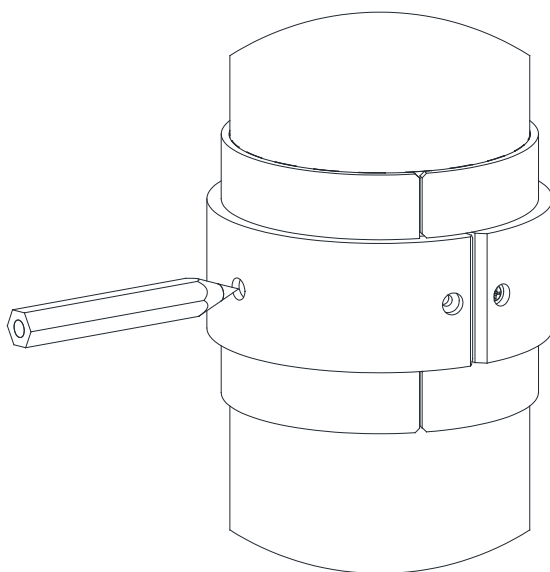
Using a drill and 4mm [5/32"] HSS drill bit pilot hole the 3 marked hole locations

Step 4



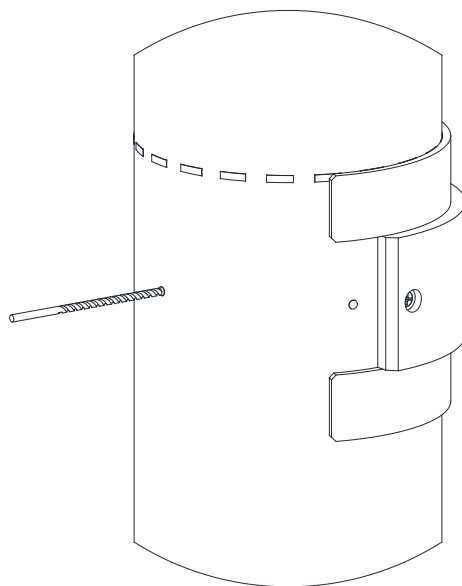
Using the self tapping screws supplied reposition and secure the 1st half of the mounting ring

Step 3



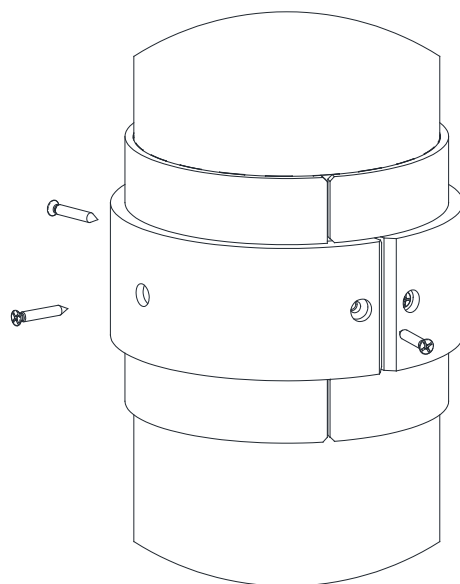
Position the 2nd half of the mounting ring and mark the 3-hole locations

Step 4



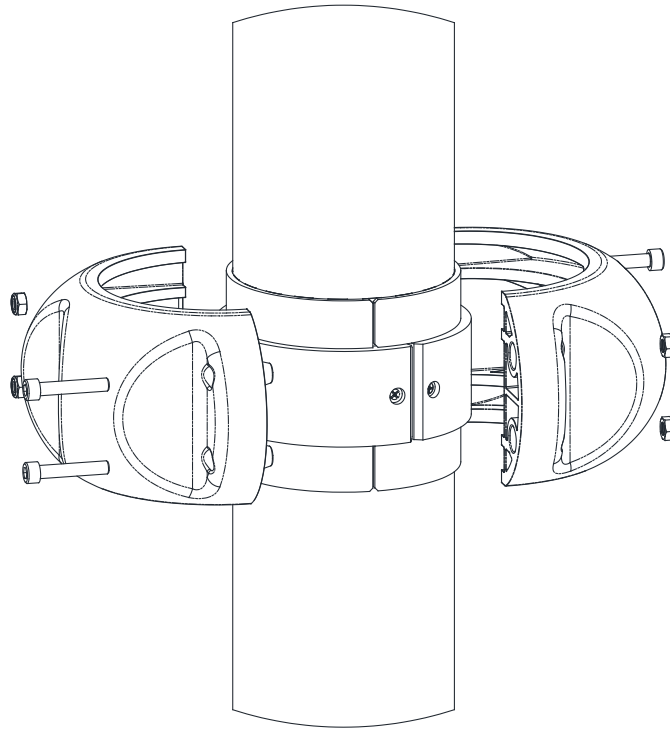
Using a drill and 4mm [5/32"] HSS drill bit pilot hole the 3 marked hole locations for the 1st half of the mounting ring

Step 5



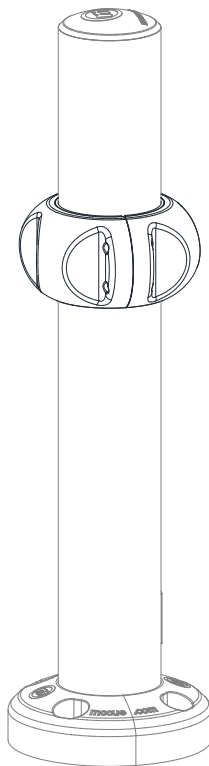
Using the self tapping screws supplied reposition and secure the 2nd half of the mounting ring

Step 7



Using the M10 cap head screws and nuts supplied secure the shock absorber around the fixed mounting ring

Step 8



Installation Complete