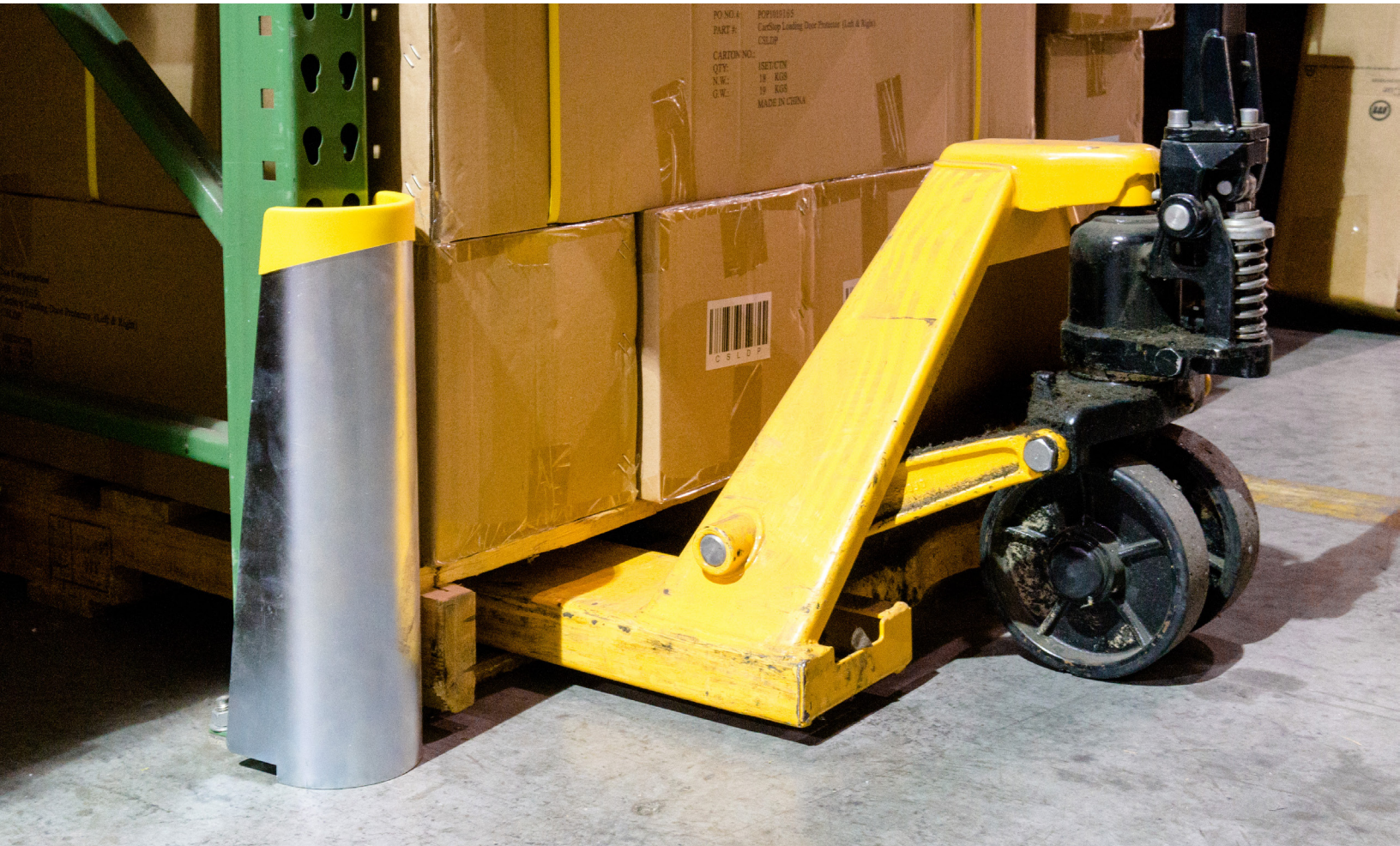


# Shock-Absorbing Rack Guard



## The biggest shock you'll never notice.

Hit an ordinary rack guard hard enough and the concrete will give up its hold. We engineered ours smarter—with a built in industrial-grade shock-absorber that takes stronger hits. That means your rack, floor and equipment are safer—so your business can move faster.

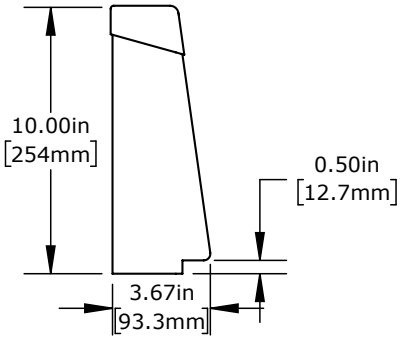
**Shock-Absorbing** Protect the integrity of rack columns from accidental impacts

**Half-Moon Profile** Produces a smooth, seamless finish that deflects impacts

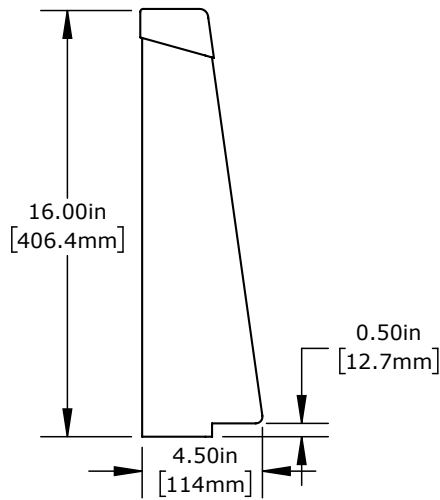
**Zero Maintenance** Protect against rust and corrosion



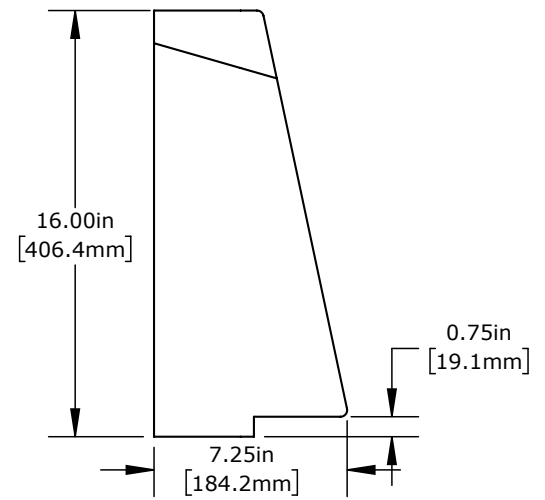
# Shock-Absorbing Rack Guard



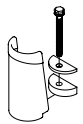
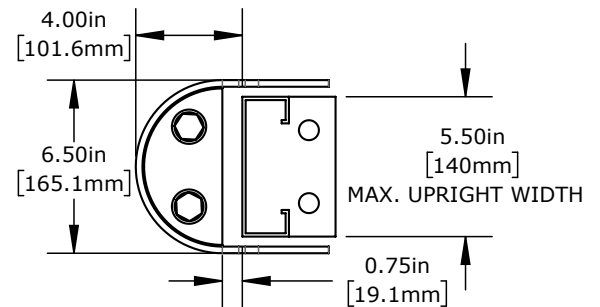
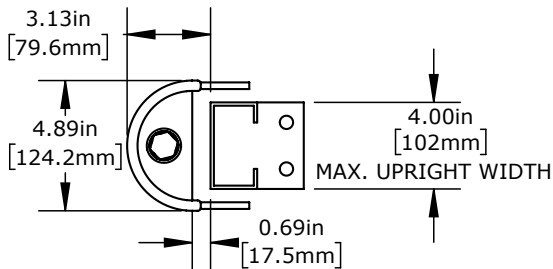
**10" Rack Guard  
for Standard Racks**



**16" Rack Guard  
for Standard Racks**



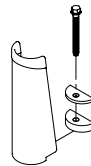
**16" Rack Guard  
for Wide Racks**



## 10"/250mm Shock-Absorbing Rack Guard

CSRG-SHOCK-10-KIT

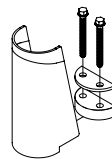
Materials: Zinc plated steel  
Shock-Absorbing Rack Guard, rubber damper,  
anchor kit



## 16"/400mm Shock-Absorbing Rack Guard

CSRG-SHOCK-16-KIT

Materials: Zinc plated steel  
Shock-Absorbing Rack Guard, rubber damper,  
anchor kit



## 16"/400mm Shock-Absorbing Rack Guard XL For racks wider than 4"

CSRG-SHOCK-16XL-KIT

Materials: Zinc plated steel  
Shock-Absorbing Rack Guard, rubber damper,  
anchor kit



**McCue Corporation**  
Peabody, MA 01960, USA  
+1 (800) 800 8503  
customercare@mccue.com

**McCue UK & Europe**  
Milton Keynes, United Kingdom  
+44 (0)1908 365 511  
uksales@mccue.com

**McCue Asia**  
迈客(厦门)有限公司  
Xiamen, Fujian, China  
+86-592-2200790

**mccue.com**

